



VRX SERIES VIBRATORY SURFACE FINISHING MACHINES



HIGH PERFORMANCE



OUR PROMISE, NO EXTRA CHARGE, INCLUDED IN THE PRICE

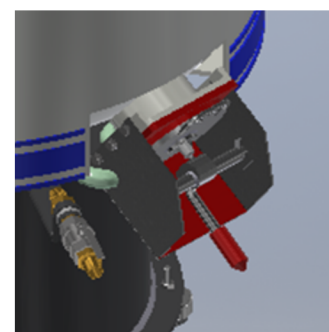
We thrive for success, which is why we insist on coming to you to train your staff, check the installation, and make sure that the processes are working correctly so you are achieving the desired and approved results. We would not offer you anything without approval.

- You will receive free pre-site visit and installation check.
- You will receive a free component assessment.
- We will develop a process which is then approved by you, which is tailored to your specific needs.
- You will learn how to use the machinery safely and efficiently.
- You will be able to ask questions and get personalised training from our experts.
- We will provide after sales consultancy and future project development support.
- We will provide machinery back up support from our experienced team of engineers.

We believe that our free promises are an essential part of our customer service. It is our way of showing you that we are committed to your success for the long run.

The VRX Series of machines outperform its competitors and is 10% more efficient than the previous VRM machines on the market.

	VRX500
Amplitude	4
Working Angle	60
Cycle Time (sec.)	28
Tumble per Cycle (pcs.)	4
Motor Kw	4
Motor Speed (rpm)	1500



OPTIONAL QUICK
RELEASE DISCHARGE



FREE ANTI-VIBRATION FEET

SELF SUFFICIENT

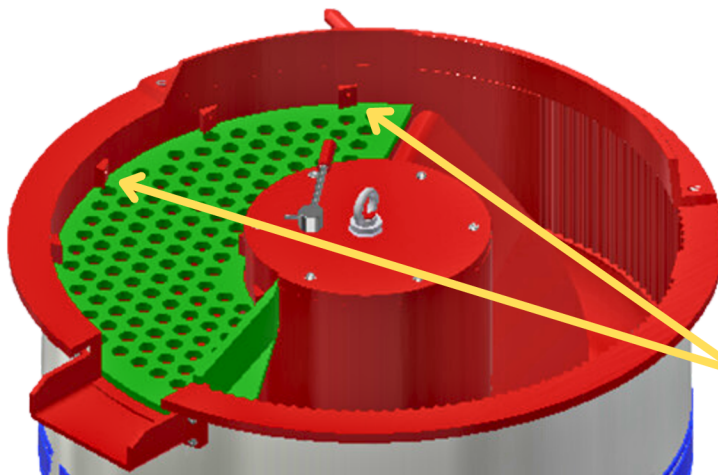


Automatic Lubrication Applications

Unlike our competitors the VRX Series have automatic lubrication cartridges that require replacement only once a year.

LONGER BEARING LIFE

Using less weight in our VRX Series machines extends bearing life by 30%, while achieving the required amplitude and kneading angle values for the process.



QUICK AND EASY RELEASE FOR
EASE OF CHANGING SCREEN



OPTIMUM BOWL DIMENSIONS

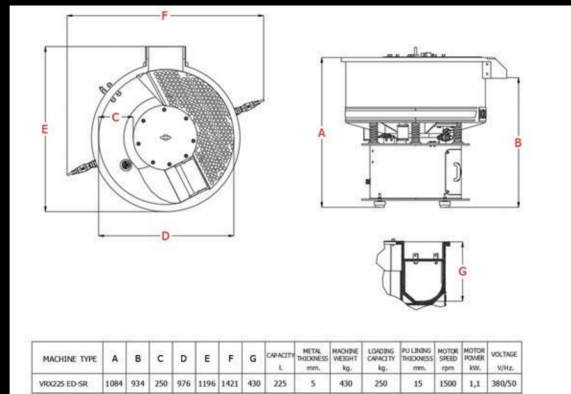
FREE CONTROL PANEL INCLUDED

PLEASE ASK FOR UPGRADE OPTIONS

VRX Series machines have been optimised for channel width and depth, resulting in improved performance and efficiency.



We use the best quality of the polyurethane materials from around the world.

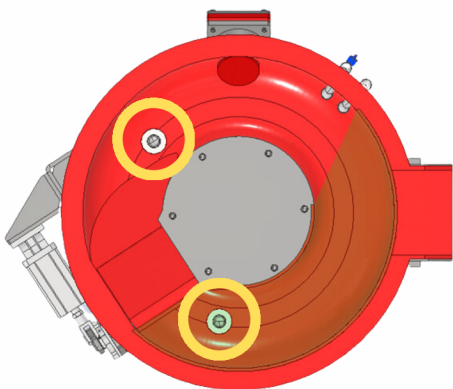
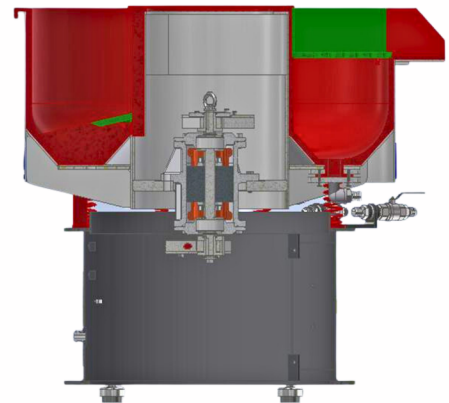


Machine Type	A mm	B mm	C mm	D mm	E mm	F mm	G mm	H mm	Capacity L.	PU Thickness mm	Steel Thickness mm	Weight Kg.
VRM2	59	221	-	277	277	251	88	-	2	7	3	11
VRM20	127	438	-	478	530	520	195	-	18	20	-	60
VRM50	150	580	-	680	680	905	220	-	42	30	-	160
VRX125	202.5	790	840	1135	1160	970	328	215	118	20	5	350
VRX225	250	970	935	1310	1210	1080	430	250	228	20	5	465
VRX350	300	1130	1005	1470	1330	1155	425	300	309	20	5	600
VRX500	375	1365	1030	1720	1550	1200	520	380	570	20	5	790
VRX800	430	1520	1125	1805	1685	1295	580	380	836	20	6	1310
VRX1100	480	1640	1275	1910	1815	1470	665	420	1120	20	8	1550
VRX1500	550	1790	1300	2145	2010	1510	668	460	1396	20	8	2140
VRM2000	625	1975	-	2190	2182	1585	683	-	1700	20-30	10	2620
VM3200	834	2325	-	2520	2470	1510	610	-	2400	25-35	10	2900



OPTIMUM MOTOR POSITIONS

The optimum placement of the motor relative to the center of gravity is a critical factor in machine performance. By carefully considering the relationship between these two points, the engineers have designed machines that are more efficient, productive, and reliable.



WATER DRAINAGE FILTERS

The VRX125 is the smallest machine in the VRX series, with a volume of 125 litres and two standard filters for quick process water drainage.



PNEUMATIC TECHNOLOGY

Optional pneumatic controlled auto unload ramps: The pneumatic controlled auto unload ramps are the most notable addition to the VRX Circular Vibratory Machine Range. This revolutionary feature streamlines the unloading process, eliminating the need for manual labour and minimising the risk of human error.

- Increased Performance
- Free Control Panel
- More Ergonomic
- Increased Spring Axis
- Quick Release Screen
- Optional Pneumatic Unload Ramp
- Cone Lower Bowl
- Unload Screen
- Twin Drain
- 10-15% More Efficient
- Increased Tumbles
- Decreased Lap Time
- Increased Vertical Amplitude
- Mould Improvement
- Free Optional Quick Discharge
- 2 Years Warranty/3500 Hour

